

THIS DRAWING IS UNPUBLISHED.

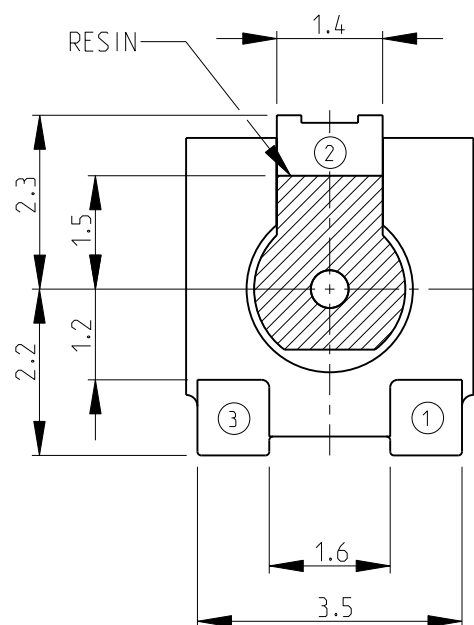
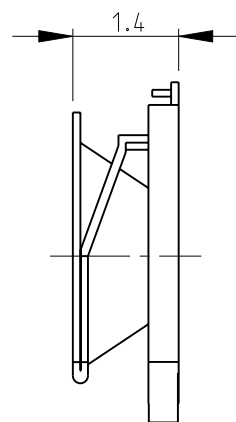
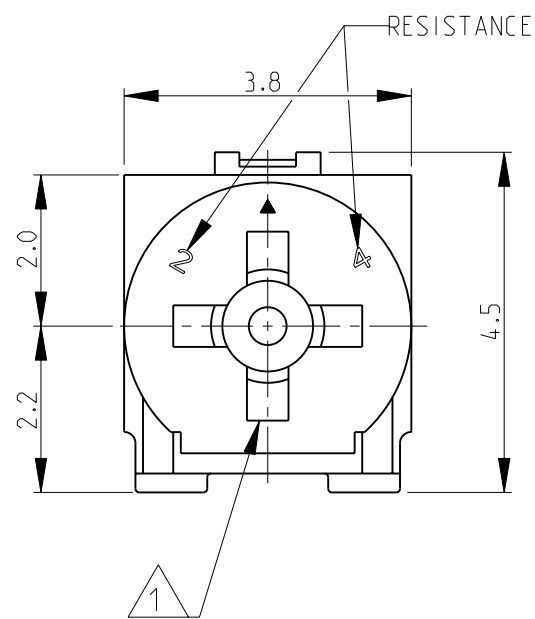
RELEASED FOR PUBLICATION

2008

© COPYRIGHT 2008 BY -

ALL RIGHTS RESERVED.

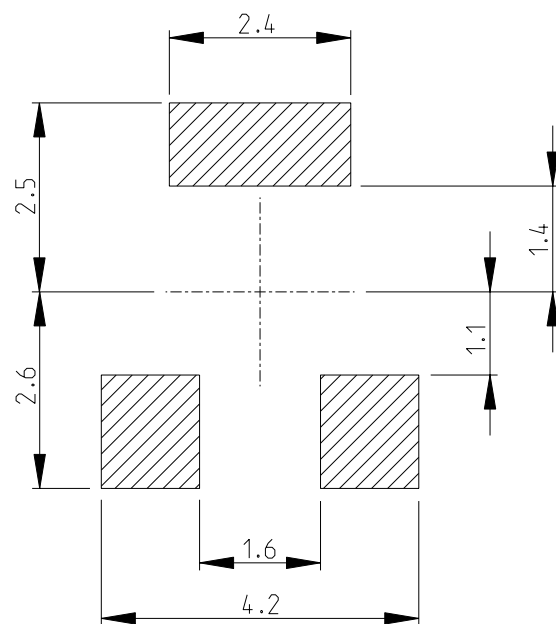
LOC	DIST	REVISIONS				
P	LTR	DESCRIPTION	DATE	DWN	APVD	
E	B	BB1	REVISED PER ECO-11-005150	29MAR2011	RK	HMR



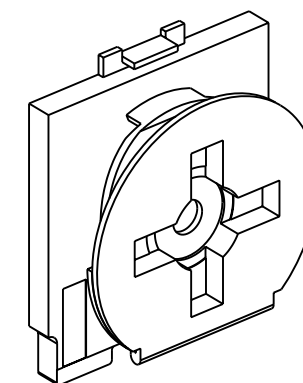
1 DRIVER SLOT: WIDTH- 0.55mm, LENGTH- 2.5mm, DEPTH- 0.35mm

2 FOR FURTHER INFORMATION SEE DATA SHEET FOR 3150 SERIES-SMD ECONOMY TRIMMERS

RECOMMENDED LAND PATTERN



RoHS Compliant



THIS DRAWING IS A CONTROLLED DOCUMENT.

DWN SUBHASH.M 12-NOV-08

CHK PRAKASH.S 12-NOV-08

APVD STEPHEN.P 12-NOV-08

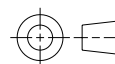
NAME

STE TE Connectivity

SMD ECONOMY TRIMMERS
SERIES 3150

DIMENSIONS:
mm

TOLERANCES UNLESS OTHERWISE SPECIFIED:



0 PLC	± 0.2
1 PLC	± 0.1
2 PLC	± -
3 PLC	± -
4 PLC	± -
ANGLES	± 5°

MATERIAL -

FINISH -

PRODUCT SPEC -

APPLICATION SPEC -

WEIGHT 0.2g

SIZE	CAGE CODE	DRAWING NO	RESTRICTED TO
------	-----------	------------	---------------

A3	00779	1623913	-
----	-------	---------	---

CUSTOMER DRAWING	SCALE 10:1	SHEET 1 OF 1	REV BB1
------------------	------------	--------------	---------